

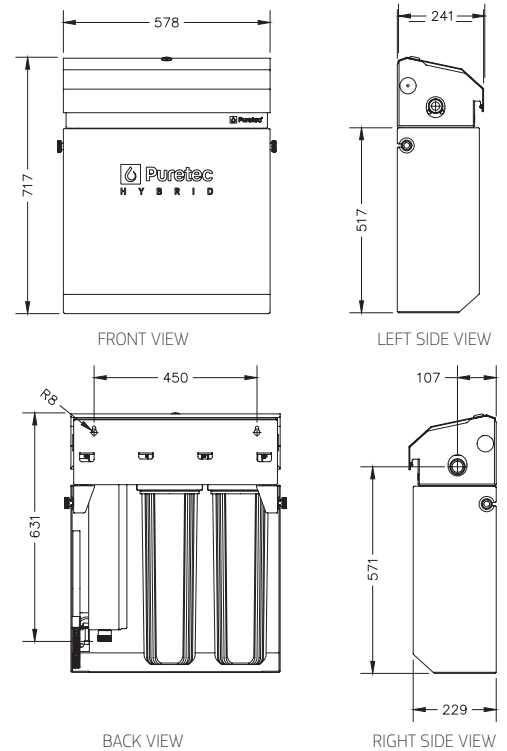
Hybrid™ E7 AMC

All-in-One Ultraviolet Filtration with Architecturally Mounted Cover

RAINWATER

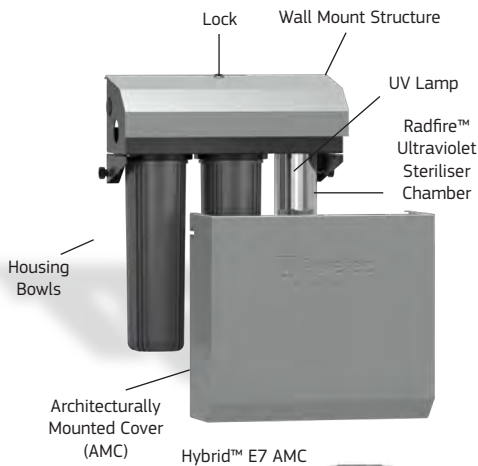


*Copper pipes (pictured) not included.



Note: All dimensions are in mm.

Parts Included



User guide



PL05MP2
Pleated Sediment



DP10MP2
Dual Purpose Carbon

Specifications

Ordering Code	Pressure** (kPa)	Max. Flow (Lpm)	Connection	Micron Rating*
HYBRID-E7-AMC-LF	300-875	130	1" BSP(Male) (25 mm)	5

Min/Max Temperature: 0-52°C. Protect from freezing.

FILTRATION TECHNOLOGY

Ordering Code	Description	Flow (Lpm)	Micron Rating* (Nominal)	Cartridge Size
PL05MP2	Sediment	0-180	5	20" MaxiPlus
DP10MP2	Dual Purpose	0-130	10	20" MaxiPlus

HYBRIDCARE SERIES MAINTENANCE KIT

Ordering Code	Components
HR-EI7	Includes: 20" MaxiPlus™ Pleated Sediment Cartridge [PL05MP2], Dual Purpose Carbon Filter [DP10MP2], 46W UV Lamp [RL7], and Replacement Quartz Sleeve [RQ56].

Warranty: Use only genuine Puretec replacement cartridges. 5 year warranty is 1 year parts and labour, 4 years parts only. Excludes cartridges and the RES7 Ballast. RES7 warranty is 3 years (1 year parts & labour, 2 years parts only).



Warning: Please visit www.puretecgroupp.com/instructions to observe essential manufacturer's instructions before use. **Note:** No claims can be made based on the specifications and images in this document. The design, technology, colours, features and prices are subject to change. This document and all its contents are copyright protected. All rights are reserved, particularly alteration, translation and reproduction using electronic systems. This spec sheet has been designed to help make product selection easy. However due to the complex nature of water chemistry, we strongly encourage confirming any product selection with one of our team. We may need to perform a water analysis test to confirm contaminants in water. **Caution:** Do not use with microbiologically unsafe water or water of unknown quality without adequate disinfection before or after the system. **Warranty:** *Warranties in this document cover parts for the period stated and include cover for parts and labour for the first year where applicable, subject to approval. Excludes consumables. *Micron Rating is nominal. Our Water Filtration Specialists can provide you with advice to suit your needs. **Where line pressure exceeds 520kPa, an approved pressure limiting device must be installed to comply with Australian & New Zealand Plumbing Standards (Ref. AS 35001:2021, Clause 3.3.4). Maximum flow depends on cartridges, vessel, pressure, impurities etc.