

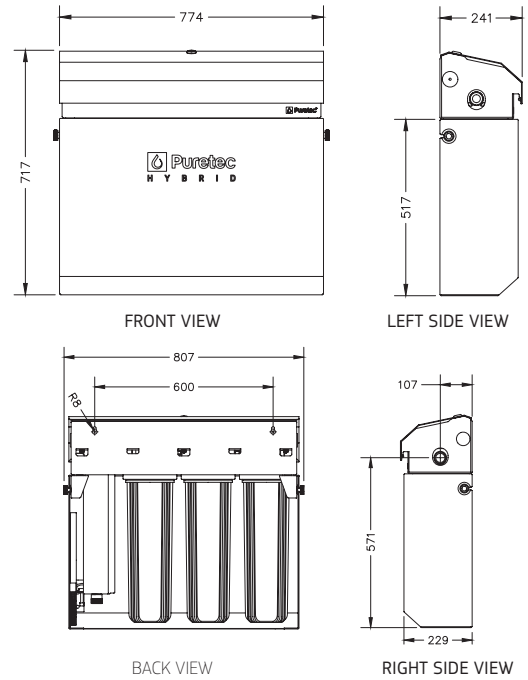
Hybrid™ E13 AMC

All-in-One Ultraviolet Filtration with Architecturally Mounted Cover

RAINWATER



*Copper pipes (pictured) not included.



Specifications

Note: All dimensions are in mm.

Ordering Code	Pressure** (kPa)	Max. Flow (Lpm)	Connection	Micron Rating*
HYBRID-E13-AMC-LF	300-875	120	1" BSP(Male) (25 mm)	1

Min/Max Temperature: 0-52°C. Protect from freezing.

FILTRATION TECHNOLOGY

Ordering Code	Description	Micron Rating* (Nominal)	Flow (Lpm)	Cartridge Size
PLO5MP2	Sediment	5	0-180	20" MaxiPlus
CB05MP2	Carbon Block	5	0-48	20" MaxiPlus
PX01MP2	Polyspun Sediment	1	0-152	20" MaxiPlus

HYBRIDCARE SERIES MAINTENANCE KIT

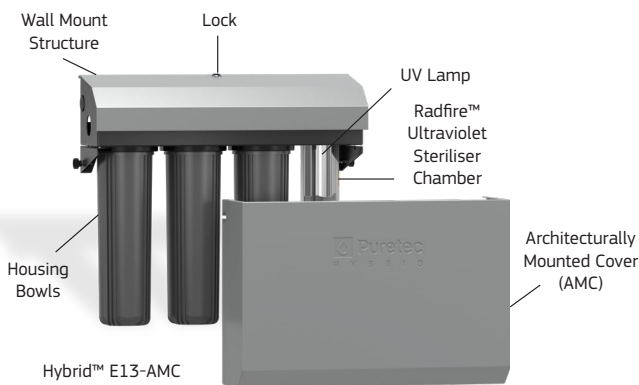
Ordering Code	Components
HR-E113	Includes: 20" MaxiPlus™ Pleated Sediment Cartridge [PLO5MP2], Carbon Block Cartridge [CB05MP2], Polyspun Sediment Cartridge [PX01MP2], 46W UV Lamp [RL7], and Replacement Quartz Sleeve [RQS6].

Warranty: Use only genuine Puretec replacement cartridges. 5 year warranty is 1 year parts and labour, 4 years parts only. Excludes cartridges and the RES7 Ballast. RES7 warranty is 3 years (1 year parts & labour, 2 years parts only).



Warning: Please visit www.puretecgroupp.com/instructions to observe essential manufacturer's instructions before use. **Note:** No claims can be made based on the specifications and images in this document. The design, technology, colours, features and prices are subject to change. This document and all its contents are copyright protected. All rights are reserved, particularly alteration, translation and reproduction using electronic systems. This spec sheet has been designed to help make product selection easy. However due to the complex nature of water chemistry, we strongly encourage confirming any product selection with one of our team. We may need to perform a water analysis test to confirm contaminants in water. **Caution:** Do not use with microbiologically unsafe water or water of unknown quality without adequate disinfection before or after the system. **Warranty:** *Warranties in this document cover parts for the period stated and include cover for parts and labour for the first year where applicable, subject to approval. Excludes consumables. *Micron Rating is nominal. Our Water Filtration Specialists can provide you with advice to suit your needs. **Where line pressure exceeds 520kPa, an approved pressure limiting device must be installed to comply with Australian & New Zealand Plumbing Standards (Ref. AS 35001:2021, Clause 3.3.4). Maximum flow depends on cartridges, vessel, pressure, impurities etc.

Parts Included



User guide



PLO5MP2
Pleated Sediment



CB05MP2
Carbon Block
Taste & Odour



PX01MP2
Polyspun Sediment